

# PASSIVE-HOUSE CERTIFICATIONS

## Curtain walls & glass roofs

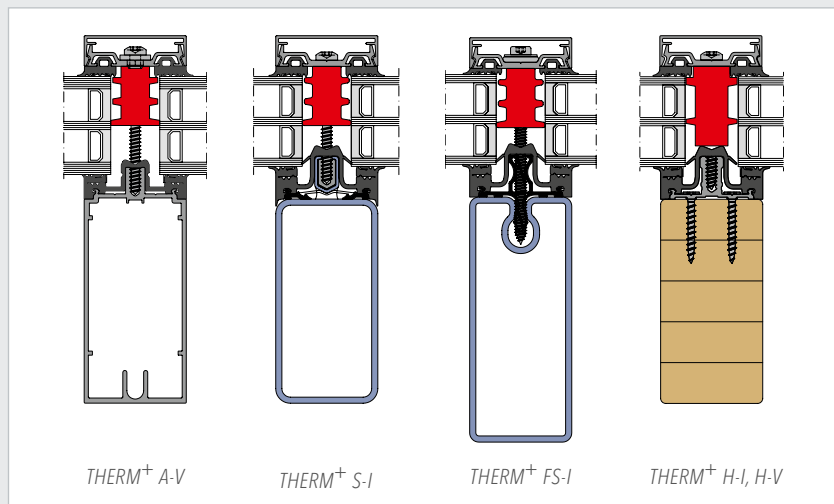


RAICO is one of the first system provider to offer curtain walls in aluminium, steel and timber both for the application in curtain walls and glass roofs certified according to newest criteria by the Passive House Institute Dr Wolfgang Feist.

### Curtain Wall

Insulation values to DIN EN ISO 10077-2 incl. screw influence

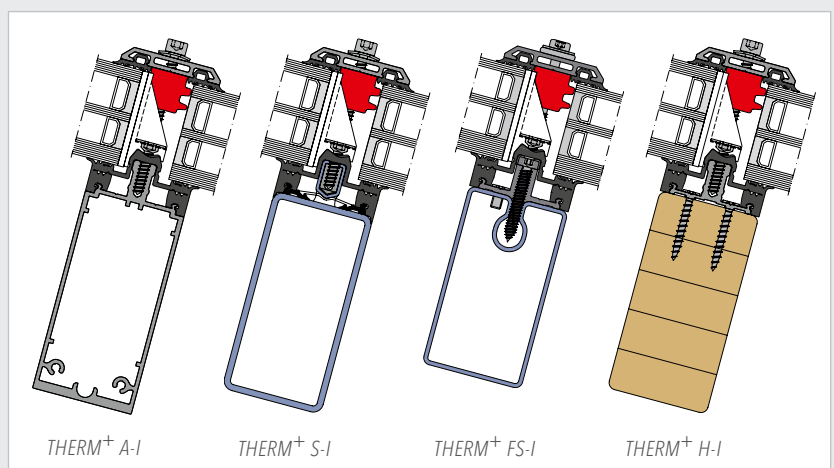
	System width in mm	U <sub>f</sub> Value in W/(m <sup>2</sup> K)
A-V	50/56	bis 0,85
S-I	50/56	bis 0,83
FS-I	50/56	bis 0,78
H-I	50/56/76	bis 0,88
H-V	50/56/76	bis 0,87



### Glasdachkonstruktionen

Insulation values to DIN EN ISO 10077-2 incl. screw influence

	System width in mm	U <sub>f</sub> Value in W/(m <sup>2</sup> K)
A-I	50	bis 0,95
S-I	50	bis 0,87
FS-I	50	bis 0,97
H-I	50	bis 0,89



# PASSIVE-HOUSE CERTIFICATIONS

## Window systems



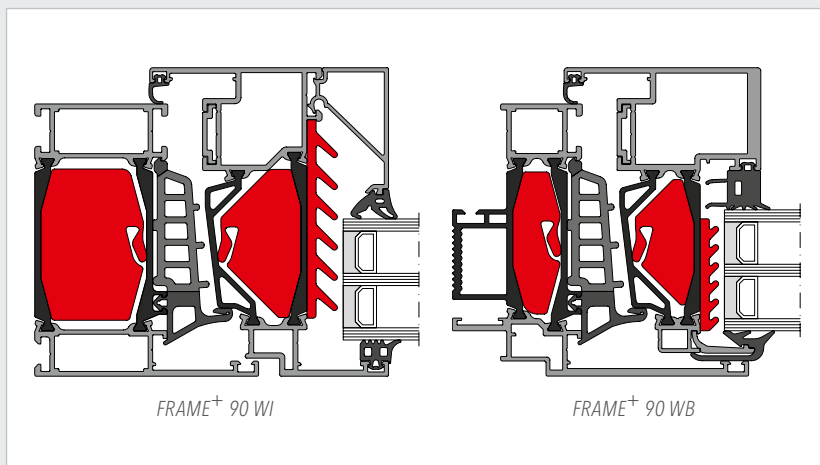
Photo: Oberbeck & Weiher Architekten

The passive house certified window systems FRAME<sup>+</sup> 90 WI and 90 WB as well as the new rooflight window FRAME<sup>+</sup> 120 RI ensure maximum energy savings – thanks to variably adjustable insulation values and innovative system components, such as the bar material THERMORIT featuring distinctly reduced thermal conductivity.

### Windows

Certified according to strict criteria of the Passive House Institute Dr. Feist in Darmstadt, Germany, without any additional construction at a system depth of 90 mm.

	Infill thickness in mm	U <sub>f</sub> Value in W/(m <sup>2</sup> K)
90 WI	44	bis 0,79
90 WB	44	bis 0,75



### Roof light window

First passive house certified „Opening element in the glass roof“

	Infill thickness in mm	U <sub>f</sub> Value in W/(m <sup>2</sup> K)
120 RI	55	bis 1,65

